

MFL-2

2 μm Band High Power Fiber Laser

Application

- ▶ Test & Measurement
- ▶ Industrial

Features

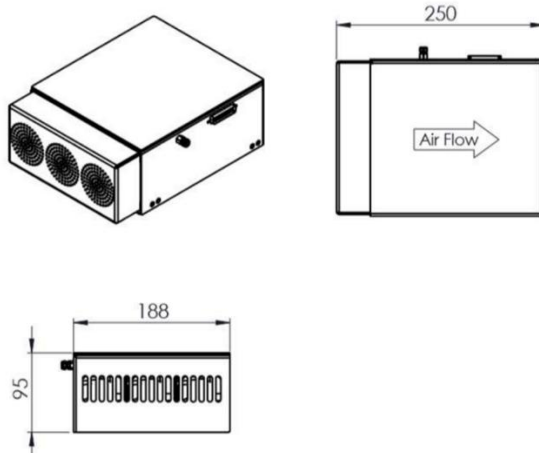
- ▶ High Output Power, up to 40W
- ▶ Modulation frequency up to 2 kHz
- ▶ Robust industrial design



Parameter

| | | Parameter Range |
|-------------------------|-------------------|------------------------------|
| Wavelength | [nm] | 1760 nm 2050 nm |
| Output Power | [W] | Up to 40 |
| Output Power Tunability | [%] | 10 ..100 |
| Mode of Operation | | CW / Modulated |
| Laser Output | | Gaussian |
| Polarization | | Random / Linear |
| Output Power Stability | [%] | 2 |
| Signal Linewidth | [nm] | <1 |
| Power Supply Voltage | [VDC] | 24 |
| Operating Temperature | [°C] | 15 .. 30 |
| Optical Connector | | Collimator |
| Beam Diameter $1/e^2$ | [mm] | 5.0 |
| Beam Quality | [M ²] | 1.1 |
| Optical Fiber type | | 3mm armored cable |
| Dimensions | [U] | 215x286x140 |
| Communication Interface | | RS-232 via USB / TTL(analog) |

Mechanical Dimensions



Ordering Information

Custom variants are available upon request, please contact our customer service to discuss your specification requirements
 Evaluation boards available upon request



specifications are subject to change without notice