

MFL-1.5

Erbium Ytterbium Fiber Laser

Applications

- ▶ Industrial
- ▶ Scientific
- ▶ Medical, Skin Resurfacing

Features

- ▶ Low power consumption
- ▶ Output powers up to 20 Watts
- ▶ Eye-safe Wavelength
- ▶ Modulation up to 2 kHz



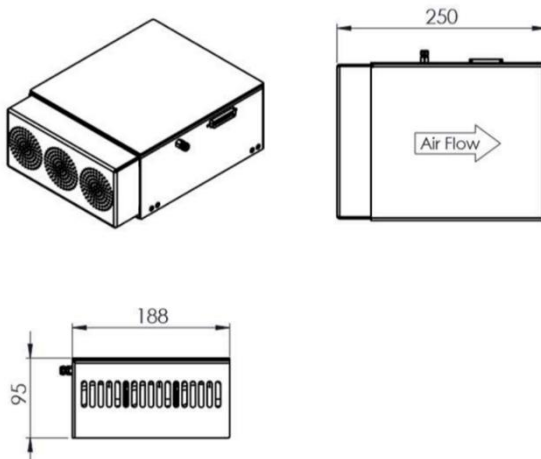
Parameter

Parameter Range

Parameter	Parameter Range
Center Wavelength	[nm] 1530 ... 1570
Laser Output Power	[W] Up to 20
Line Width	[nm] ~1
Operating mode	CW/ Modulated
Max Modulation frequency	[kHz] 2
Output Power Stability	[%] 2
Output Beam Quality	Single-mode
Output Termination	Single mode Fiber, 3 mm armored cable , Collimator
Polarization	Random / Linear
Power Supply Voltage	[V] +24
Power Consumption	[W] <300
Operating Temperature	[°C] 15...+40
Communication Interface	RS-232

Mechanical Dimensions

Ordering Information



Custom variants are available upon request, please contact our customer service to discuss your specification requirements

Evaluation boards available upon request



Specifications are subject to change without notice