

LRL

Laser

Applications

- ▶ Wind measurement, pollution detection,
- ▶ Long Range Finding, Coherent detection,
- ▶ LIDAR, LIDAR-DIAL

Features

- ▶ Laser Line width 10 kHz
- ▶ Low RIN noise
- ▶ High Stability



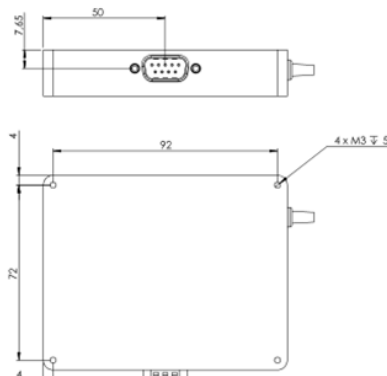
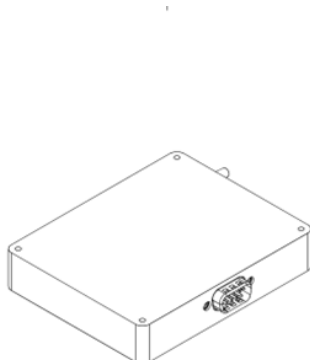
Parameter

Parameter Range

Parameter		Parameter Range
Center Wavelength	[nm]	1530 ... 1564
Wavelength Drift	[pm/°C]	0.1
Laser Output Power	[dBm]	15
Laser Linewidth	[kHz]	10
Polarization		Random / Linear
Mechanical Dimensions	[mm]	100x80x19
Operating Case Temperature	[°C]	0...+70
Output Fiber length	[cm]	30
Output Termination		SC/APC, FC/APC, others
Power Supply Voltage	[VDC]	+12
Power Consumption	[W]	<5
Communication Interface		RS-232

Mechanical Dimensions

Ordering Information



Custom variants are available upon request, please contact our customer service to discuss your specification requirements.

Evaluation board available on request



Specifications are subject to change without notice