

# HFL

## 1550nm High Power Pulsed Fiber Laser

### Applications

- ▶ Distance measurement
- ▶ Lidar / 3D Scanning
- ▶ Test & Measurement

### Features

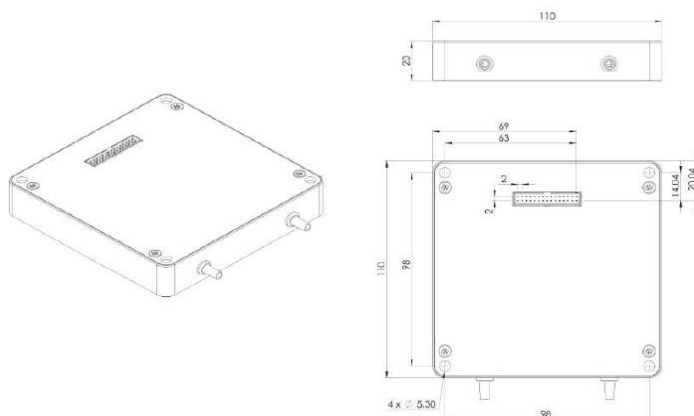
- ▶ High Output Power, up to 4W
- ▶ Compact Package (110 x 110 x 20 mm)
- ▶ Low Power Consumption



### Parameter

		Parameter Range
Center Wavelength	[nm]	1540 ... 1560
Wavelength Drift	[nm/°C]	0.1
Laser Peak power	[kW]	Up to 5
Laser Output Power, average	[W]	Up to 4
Pulse Width	[ns]	0.4 ... 50
Pulse Energy	[μJ]	50
Repetition rate	[kHz]	10 ... 2000
Pulse Timing		External trigger, TTL
Polarization		Random / Linear
Mechanical Dimensions	[mm]	110x110x20
Operating Case Temperature	[°C]	-5...+65
Output Fiber length	[cm]	30
Output Termination		SC/APC, FC/APC, Collimator
Power Supply Voltage	[VDC]	+5 / +12
Power Consumption	[W]	150
Communication Interface		RS-232

### Mechanical Dimensions



### Ordering Information

Custom variants are available upon request, please contact our customer service to discuss your specification requirements.

Evaluation board available on request



Specifications are subject to change without notice